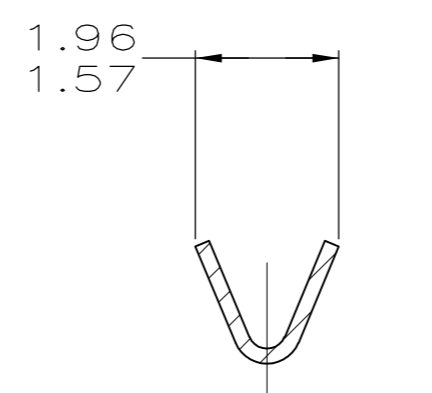
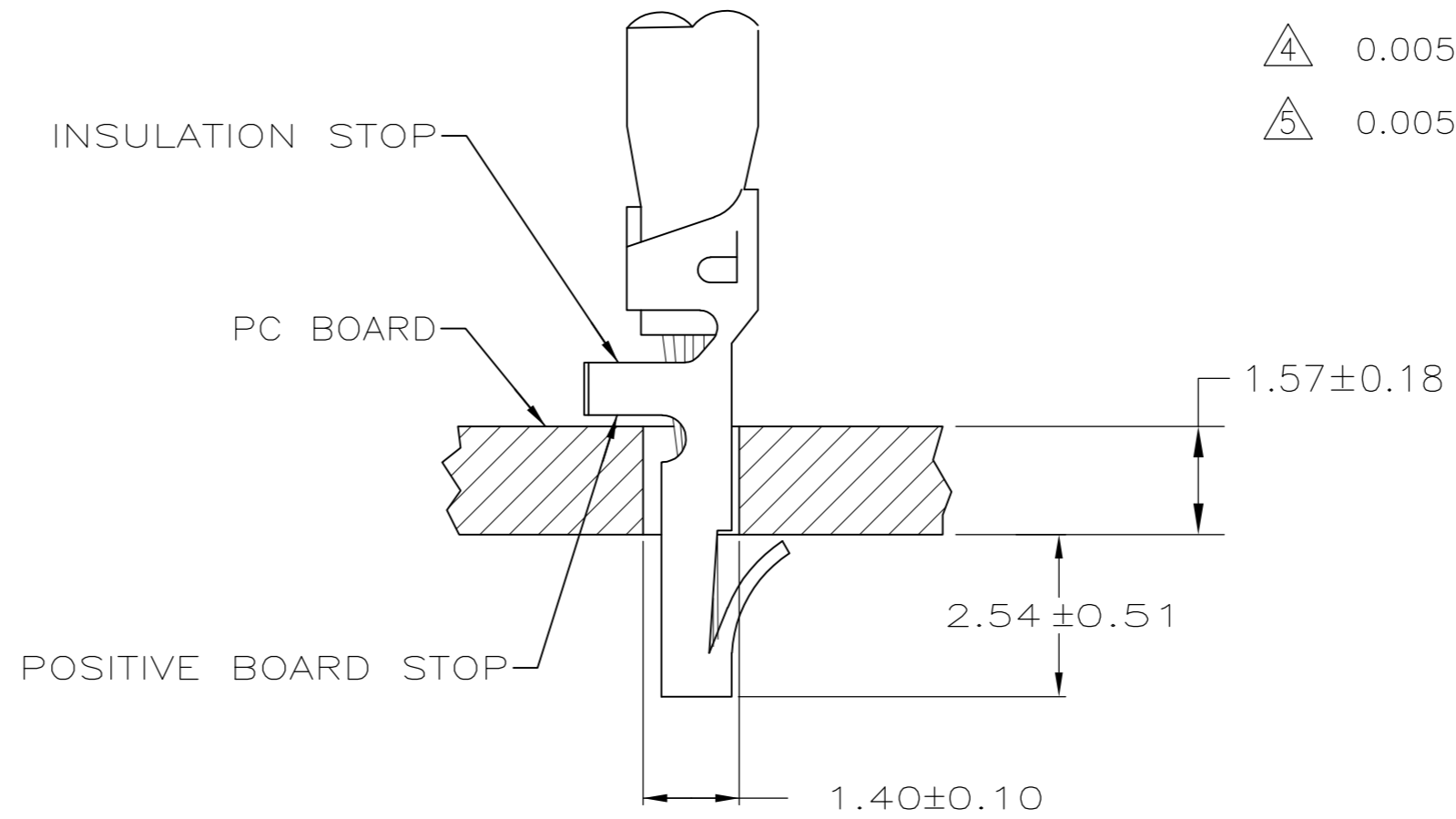
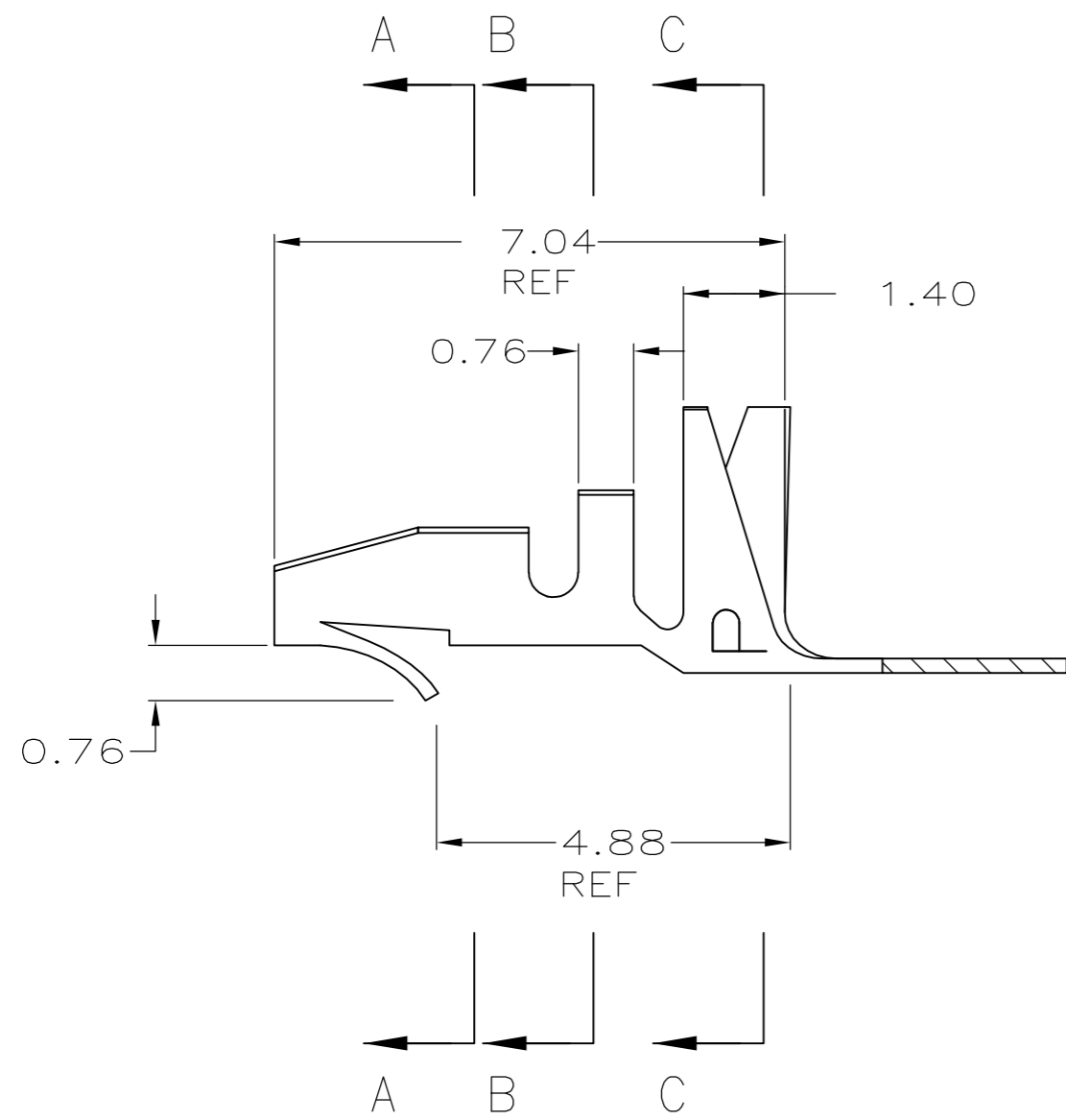
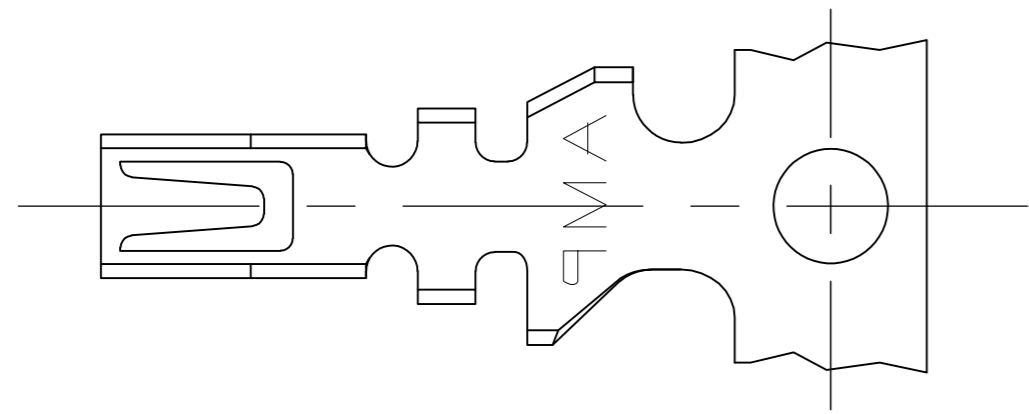


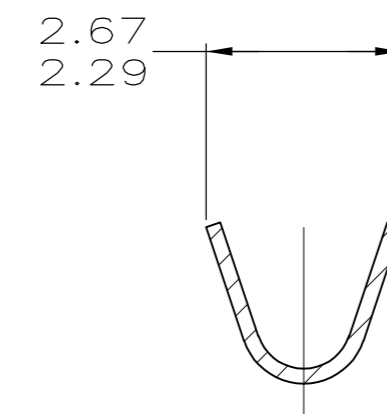
THIS DRAWING IS UNPUBLISHED. RELEASED FOR PUBLICATION
 © COPYRIGHT BY TYCO ELECTRONICS CORPORATION. ALL RIGHTS RESERVED.

LOC		DIST		REVISIONS			
P	LTR	DESCRIPTION		DATE	DWN	APVD	
CM	00	D1	REV PER ECO	10-024400	01MAR11	JR	SM

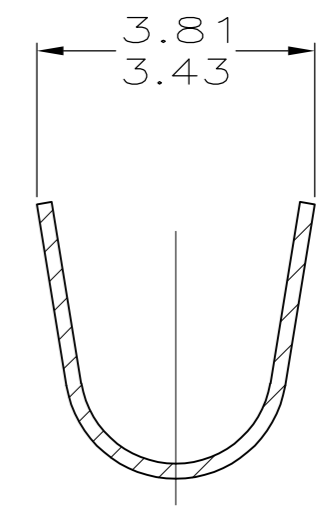
- PARTS COMPLY WITH AMP SOLDERABILITY SPECIFICATION 109-11-2.
- WIRE RANGE: 0.12 - 0.4 MM² (26 - 22 AWG).
- INSULATION RANGE: 1.02 - 2.79
- 0.00508 MIN BRIGHT TIN-LEAD.
- 0.00508 MIN BRIGHT TIN.



SECTION A-A



SECTION B-B



SECTION C-C

OBSOLETE	5	3-794122-1
	4	794122-1
	FINISH	PART NO.

0.51	.020	2.29	.090	4.88	.192	-	-
0.20	.008	1.96	.077	3.81	.150	-	-
0.18	.007	1.57	.062	3.43	.135	-	-
0.13	.005	1.40	.055	2.79	.110	-	-
0.10	.004	1.02	.040	2.67	.105	-	-
0.00508	.000200	0.76	.030	2.54	.100	7.04	.277
MM	IN	MM	IN	MM	IN	MM	IN

CONVERSION TABLE

METRIC

THIS DRAWING IS A CONTROLLED DOCUMENT.		DWN S. CARPENTER 21AUG2003	Tyco Electronics Corporation Harrisburg, PA 17105	
DIMENSIONS: MM		CHK J. ELLIS 21AUG2003	NAME TERMINAL MINI AMP-IN™ 2000	
TOLERANCES UNLESS OTHERWISE SPECIFIED: 0 PLC ± 1 PLC ± 2 PLC ± 0.13 3 PLC ± 4 PLC ANGLES ±		APVD J. ELLIS 21AUG2003	PRODUCT SPEC 108-1081	
MATERIAL 0.20 PH BRZ		FINISH	APPLICATION SPEC 114-1016	WEIGHT
CUSTOMER DRAWING		SCALE 10:1	SHEET 1 OF 1	REV D1